

Heli-coil

- Helicoil ■ Inserting / Fixing Tools ■ Helicoil Tap ■ Drill ■ Gauges
- Tang Breaking Tools & Helicoil Sets etc...



Thread Inserts
Helicoil



Fixing Tools & Accessories
Insertion Tools



Taps



Gauges

kores
Your Guarantee of A Good Impression



brother At your side.™



Industrial Printing and Labeling Solutions.

Business Associates of Laddha Group



- **Mulchand Ramkisan Laddha**
Wholesale Cloth Merchant
Laxmi Road



- **Gokul Distributors**
Distributor for Reliance / Nirvan /
Donear Importer of Cloth etc.
Raviwar Peth & Pune Satara Road



- **Laddha Mantri**
Construction
Head Office, Tilak Road,



- **Prasad Enterprises**
M.S. Profile Cutting
Chakan & Mundhwa



- **Gokul Handlooms**
Everything in Furnishing
Pune Satara Road



- **Baby Doll**
Clothes & Accessories for Kids
from 0 to 5 yrs.
Pune Satara Road

GOKUL TRADERS

Associate of Laddha Group, Estd. 1932

One stop shop for your Industrial Requirements



- Thread Gauges
- Dial Gauges
- Precision Measuring Instruments
- Helicoils & Accessories
- HSS Cutting Tools
(Drills, Taps, Dies, Reamers, Endmills etc.)
- Solid Carbide Tools
(Rotary Cutters, Drills, Endmills etc.)
- Hand Tools
- Deburring Tools
- Abrassives
- Machine Tools & Accessories
- Torque Wrenches & Accessories
- Industrial Printers & Tapes
- Pneumatic Tools
- Fasteners
- Power Tools
- Workshop Products
- Stationery
- And many other Industrial Products



GOKUL TRADERS

979, Raviwar Peth, Laxmi Road, Pune - 411 002. Ph.: (020) 24450644, 32519785 • Telefax : 24483758
Website : www.gokultraders.com / www.gaugesindia.co.in E-mail : gokultraders@gmail.com

979, Raviwar Peth, Laxmi Road, Pune - 411 002. Ph.: (020) 24450644, 32519785, Telefax : 24483758
Website : www.gokultraders.com / www.gaugesindia.co.in / www.insizeindia.com
E-mail : gokultraders@gmail.com

BAKER

...a passion for precision



Thread Ring Gauges & Thread Plug Gauges



Dial Bore Gauges



Digital Height Gauges



Plunger Type Dial Gauges



Digital Dial Gauges



Micrometers



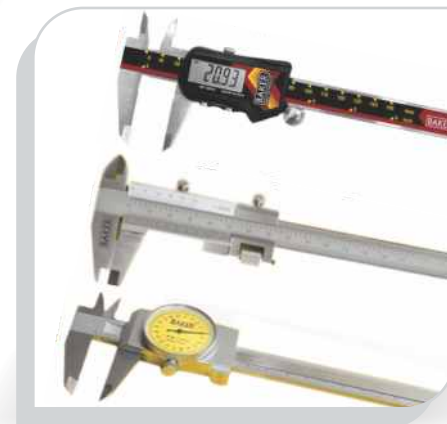
Dial Depth Gauges



Lever Type Dial Gauges



Dial Thickness Gauges



Vernier Calipers



Internal Micrometers



HSS GROUND THREAD TAPS



- Thread Forms : BSW / BSF / UNF / UNC / MM / BA / BSP / BSPT / NPT
- Variety : Short machine taps, Serial form taps, Spiral point taps, Spiral fluted taps, Long shank machine taps.

CARBON STEEL TAPS



- Thread Forms : BSW / BSF / UNF / UNC / MM / BA / BSP / BSPT / NPT

SOLID CARBIDE END MILLS



- Size Range : 1 mm to 32 mm
- Surface Treatment : Tin, TiAlN, TiCN coatings

Tungsten Carbide Rotary Burrs



- Cylindrical
- Cylindrical with Endcut
- Cylindrical with Radius End
- Tree shape with Radius End
- Tree with pointed End
- Flame
- Cone with Radius End
- Cone
- Ball
- Oval



DIES



- Available in HSS / Carbon Steel
- Thread Forms : MM/BSW/BSF/UNF/UNC/ BSP/BSPT/NPT

SOLID CARBIDE DRILLS



- Size Range : 1 mm to 20 mm
- Surface Treatment : Tin, TiAlN, TiCN coatings



Mitutoyo

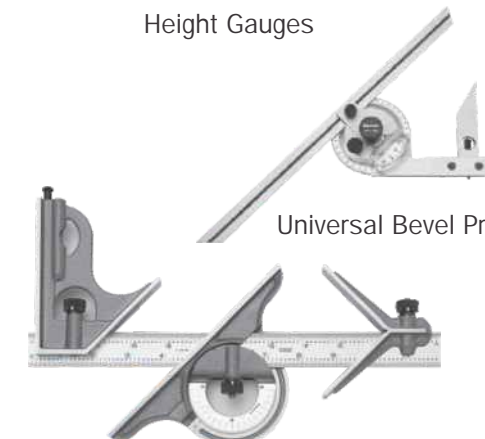
INSIZE



Height Gauges



Depth Gauges



Universal Bevel Protractor

Combination Square Sets



Coating Thickness Gauge



Precision Levels



Micrometers



Gauge Block Set



Dial Gauges



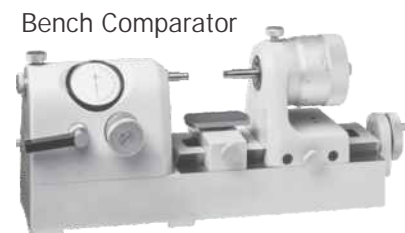
Comparator Stand



Push Pull Gauge



Thickness Gauge



Bench Comparator

- Granite / C.I. Surface Plates
- Straight Edges
- Angle Plates
- Comparator Stands
- Bench Centers



Vernier Calipers



V-Block & Stands

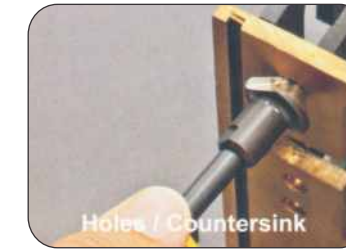
& many other Measuring Instruments



Deburring Tools
Countersink Tools



Scraper



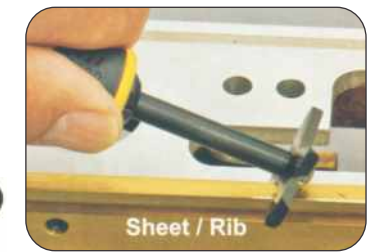
Holes / Countersink



Key-way / Slot



Heavy Duty



Sheet / Rib



Single or Double edge



Ceramic Tool

For Deburring of Component Materials such as Steel, Aluminium, Copper, Zinc, Brass, Cast Iron, Stainless Steel, Alloy Steel, Hard Plastic etc. Blades of different shapes & cutting angles are available.



- Mounted Points
- Felt Points
- Mop/ Flap Wheels
- Grinding Wheels
- Abrasive Pads



- Dressing Stones
- Lapping Paste
- Cutoff Wheels
- Buffing Wheels



- Diamond Dressers
- Emery / Waterproof Papers
- Many Other Abrasives



torque master®



- Torque Wrenches
- Torque Screw Drivers
- Torque Multipliers
- Impact Sockets & Accessories



Spindle Toolings



Tool Holding Solution for CNC & Non CNC Machines



Universal Machine Vice

3-way Tilting & Swivling Vice

Bench Vice

Compound & Single Sliding Table

Drill Chuck

Drill Vice

Milling Machine Vice

Pipe Vice

Rotary Milling Table

Tilting & Swiveling Vice



- Pneumatic Impact Wrenches
- Pneumatic Screw Drivers
- Pneumatic Die Grinders & Micro DieGrinders
- Air Drills, Tapping M/C, Needls Scaller, Flux Chipper, Chipping Hammer
- Pneumatic Cartoon Packers & Staplers
- Spring Balancers & Hose Reels



TAPARIA & Other Hand Tools

- Pliers
- Screw Drivers
- Pipe Wrenches
- Spanners
- Sockets
- Clamps
- And many others....

